



ELECTRICAL CIRCUIT SPECIFICATIONS FOR ECONOCYCLE

Important: This sheet and the alarm plate must be handed to your electrical contractor.

Caution: this specification changes from time to time – always check.

The conduit must be run to the junction box mounted in the side of the control box on the treatment tank. **Ensure you glue all joints in your conduit run** to prevent water from entering your conduit and the Econocycle control box and causing damage. Water ingress is not covered under warranty.

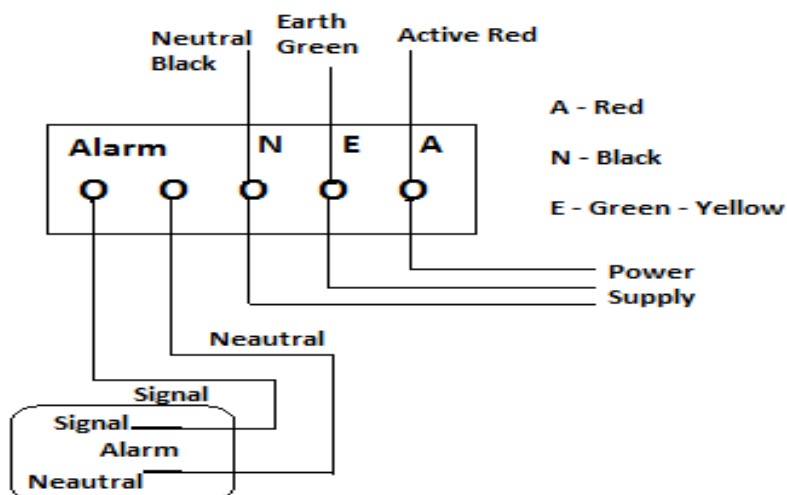
Minimum cable size is 2.5mm, this is connected to, and run from, an EXTERNAL building switchboard (to allow for maintenance when the house is unattended), to the Econocycle terminal box. Alarm wiring run can be two-core switch wire.

The above circuits must be connected to the terminals as labelled in the Econocycle terminal box. Note: Electrical work must be carried out in accordance with A.S/N.Z 3000 and Supply Authority Rules. A “Notification of electrical work” certificate must be lodged with the Supply Authority for your wiring.

Continuous running current is 0.6amp with maximum intermittent current up to 3.1 amps (dependant on submersible pump size).

Upon initial energizing of the circuit to the system, the alarm may sound. This may be caused by high water level, and is no cause for concern. If the power is left on, the level will return to normal within 30 minutes and the alarm will automatically reset. Be sure to return the alarm to “NORMAL” after the alarm has reset.

Control Box



Fault Conditions

- Air Light low pressure. Water Light high water level
- When button is pushed alarm sound only will be muted for 24 hours, resetting after this time if the problem has not been resolved, please contact your service agent to ensure a technician has been allocated.

Note: Air light will come on during installation prior to commissioning and low water levels.